

## YDS-FIC50A12F-C10-L67 V1.1

### 50MP Samsung S5KJN1SQ03 MIPI Interface Fixed Focus Camera Module



Front View



Back View

#### Specifications

<b>Camera Module No.</b>	<b>YDS-FIC50A12F-C10-L67 V1.1</b>
<b>Resolution</b>	50MP
<b>Image Sensor</b>	S5KJN1SQ03
<b>Sensor Type</b>	1/2.76"
<b>Pixel Size</b>	0.64 um x 0.64 um
<b>EFL</b>	6.10 mm
<b>F.NO</b>	2.20
<b>Pixel</b>	8160 x 6144
<b>View Angle</b>	117.2°(DFOV) 97.0°(HFOV) 79.3°(VFOV)
<b>Lens Dimensions</b>	8.50 x 8.50 x 7.00 mm
<b>Module Size</b>	67.00 x 9.00 mm
<b>Module Type</b>	Fixed Focus
<b>Interface</b>	MIPI
<b>Auto Focus VCM Driver IC</b>	None
<b>Lens Type</b>	650nm IR Cut
<b>Operating Temperature</b>	-20°C to +85°C
<b>Mating Connector</b>	BAF04-30083-0500



# YDS CAMERA MODULE

*your best camera partner*

## YDS-FIC50A12F-C10-L67 V1.1

**50MP Samsung S5KJN1SQ03 MIPI Interface Fixed Focus Camera Module**



Top View



Side View



Bottom View

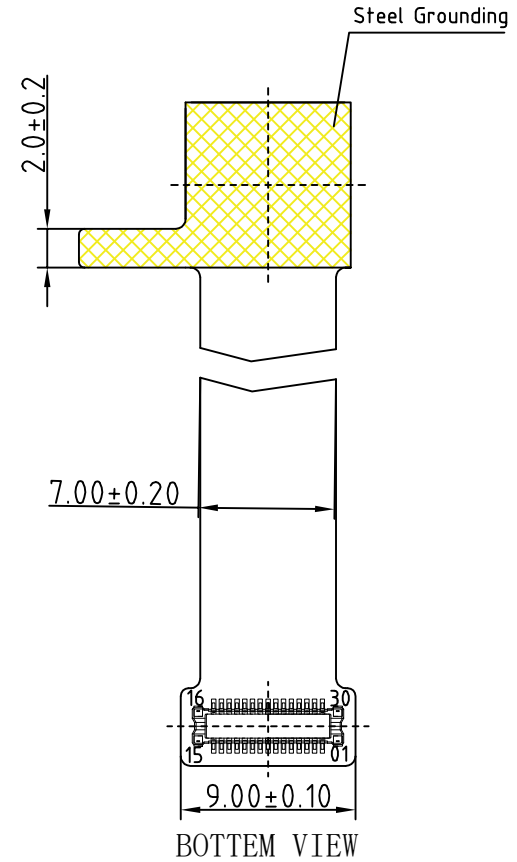
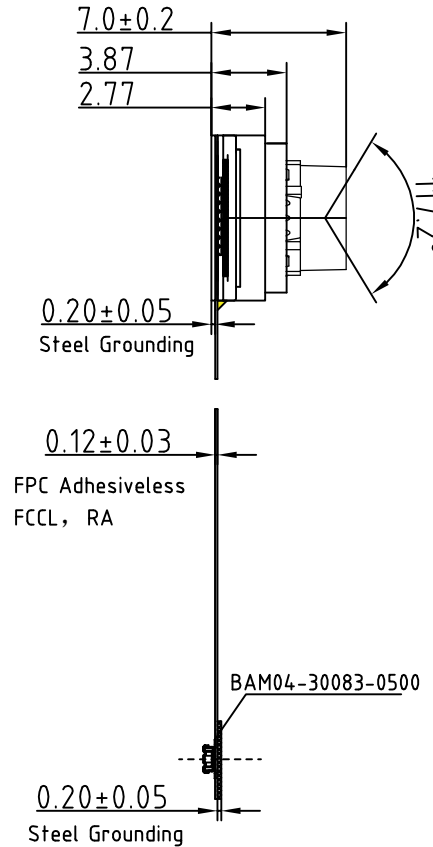
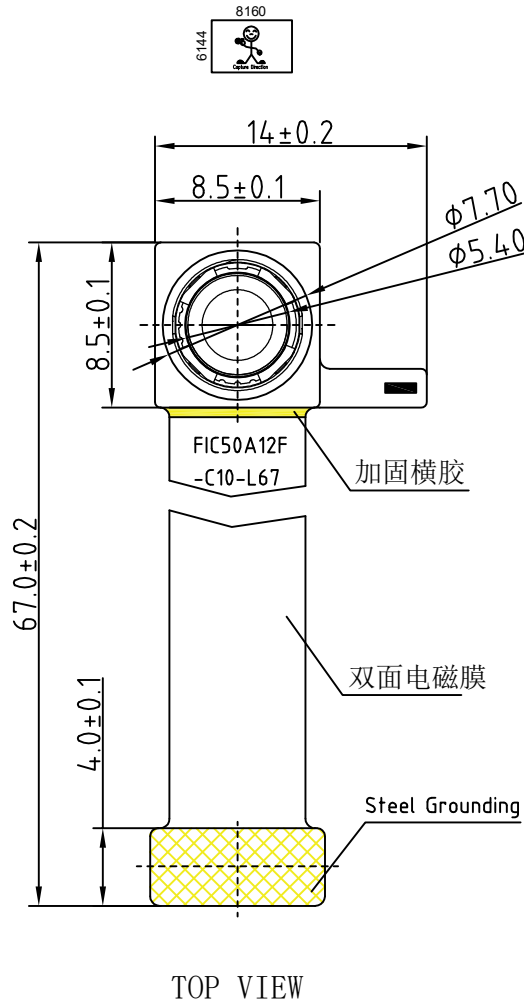


Mating Connector

# ROHS

PIN	SIGNAL
1	LED+
2	AF_VDD
3	LED-
4	AF_GND
5	NC
6	DOVDD
7	SDA
8	SCL
9	NC
10	RESET
11	DVDD
12	AVDD
13	AGND
14	MCLK
15	DGND
16	DGND
17	MDP0
18	MDN0
19	DGND
20	MDP1
21	MDN1
22	DGND
23	MDP2
24	MDN2
25	DGND
26	MCP
27	MCN
28	DGND
29	MDP3
30	MDN3

Version	Mark	Information	Date
V1.1	PD	First Version	2023-08-29



NOTE:  
The device slave address(L): Write 0x20h/Read 0x21h

## Parameters:

### 1、Sensor specification:

Image Sensor: S5KJN1SQ03  
 Pixel Size: 0.64um×0.64um  
 Image Size: 1/2.76  
 AVDD电压: 2.8V, DOVDD电压: 1.8V  
 DVDD电压: 1.05V

### 2、Lens specification:

FOV: D:117.2°,H:97°,V:79.3°  
 F/NO.: 2.2  
 TV distortion: -7.05%  
 TTL: 6.1mm  
 Composition: 6P

www.YDSCAM.com

Designed By	Kevin	Model Name:	FIC50A12F-C10-L67		
Checked By	Aouly Yan	Projection Type:	Unit:	Material: -----	
			mm	Sheet:	Version:
			Scale:	1 of 1	1/0
		Third Angle	1:1		

# S5KJN1SQ03

## 1/2.76" 50M CMOS Image Sensor for 2x2 TetraCell RGB Bayer Pattern

Revision 0.12

Mar 2022

G5A Gl B; '7cbZXYbhU  
5J D'9@97HFCB =7G'@A ±198 '#VJ`mUj'Uh'&\$&&"\$\*"&\$

## Data Sheet

SAMSUNG ELECTRONICS RESERVES THE RIGHT TO CHANGE PRODUCTS, INFORMATION AND SPECIFICATIONS WITHOUT NOTICE.

Products and specifications discussed herein are for reference purposes only. All information discussed herein is provided on an "AS IS" basis, without warranties of any kind.

This document and all information discussed herein remain the sole and exclusive property of Samsung Electronics. No license of any patent, copyright, mask work, trademark or any other intellectual property right is granted by one party to the other party under this document, by implication, estoppel or otherwise.

Samsung products are not intended for use in life support, critical care, medical, safety equipment, or similar applications where product failure could result in loss of life or personal or physical harm, or any military or defense application, or any governmental procurement to which special terms or provisions may apply.

For updates or additional information about Samsung products, contact your nearest Samsung office.

All brand names, trademarks and registered trademarks belong to their respective owners.

© 2022 Samsung Electronics Co., Ltd. All rights reserved.

# 1 Product Overview

## 1.1 Introduction

S5KJN1SQ03 is a highly integrated 50 MP camera chip with a CMOS Image Sensor (CIS), image correction functionality and serial transmission capability using 4-lane MIPI. It is designed for fast and low-power operation to deliver full resolution capture at 10 frames per second (fps) and full field of view (4:3) 12.5 MP video at 30 fps.

S5KJN1SQ03 has 2x2 Tetra-Cell RGB Bayer pattern. Each color channel of 2x2 Tetra-Cell RGB Bayer pattern is composed of four pixels of one color filter and its shape is 2x2 square. S5KJN1SQ03 has two output modes. One is binning output mode in which the adjacent same color pixels are summed. The other is normal output mode without binning, but there are changes in the order of output sequence of the real pixel array. In normal output mode, remosaic algorithm is necessary to reconstruct normal Bayer image.

S5KJN1SQ03 is fabricated by the Samsung CMOS image sensor process, which realizes a high-efficiency and low-power photo sensor. The sensor consists of 8160x6144 effective pixels that meets the 1/2.76-inch optical format.

S5KJN1SQ03 CIS has on-chip 10-bit ADC arrays to digitize the pixel output and on-chip Correlated Double Sampling (CDS) to drastically reduce Fixed Pattern Noise (FPN). It incorporates on-chip camera functions such as dark level compensation, defect correction, exposure setting, and white balance setting.

S5KJN1SQ03 CIS is programmable through a CCI or SPI serial interface and includes on-chip One-Time Programmable (OTP) Non-Volatile Memory (NVM).

S5KJN1SQ03 is suitable for a low-power camera module with a 2.8 V/1.8 V/1.05 V power supply.

## 1.2 Features

S5KJN1SQ03 supports the following features:

- 50 MP sensor with 1/2.76-inch optics
- Unit pixel size: 0.64  $\mu\text{m}$
- Effective resolution: 8160 (H)  $\times$  6144 (V)
- Active resolution: 8192 (H)  $\times$  6176 (V)
- Color filter: 2x2 Tetra-Cell RGB Bayer pattern
- Shutter type: Electronic rolling shutter and global reset
- Max. normal frame rate: 10 fps @ Full
- Max. video frame rate: 30 fps (2x2 FDSUM) @ 12.5 MP
- Data rate: 2,150 Mbps/lane
- ADC accuracy: 10 bits
- Double Super PD for faster autofocus even in dark environments
- Dual sensor synchronize
- Interfaces
  - Fine interface frequency control using additional dedicated PLL for integration flexibility and to avoid EMI
  - MIPI CSI2: 4 lanes (2.15 Gbps per lane)
  - Output formats: RAW10
- Control interface
  - SPI interface: Four-wire serial communication circuit up to 20 MHz
  - Camera Control Interface (CCI) high-speed I2C-compatible - Two-wire serial communication circuit up to 1 MHz
- 512Bytes of On-chip OTP memory for users
- Maximum Analog Gain of x16 : Full mode
- Maximum Analog Gain of x64 : 2x2 FD sum mode
- Vertical flip and horizontal mirror mode
- 4-SUM mode support
- Mapped bad pixel correction
- Interscene DCG function
- Built-in test pattern generation
- Supply voltage: 2.8 V for analog, 1.8 V for I/O, and 1.05 V for digital core supply
- Operating temperature: -20°C to +85°C



## Cameras Applications



Automotive Driver Pilot



Live Streaming



Video Conference



Eye Tracker Biometric Detection



Machine Vision



Agricultural Monitor



Night Vision Security



Drone and Sports Eagle Eyes



Interactive Pet Camera



# YDS CAMERA MODULE

*your best camera partner*

## Camera Module Pinout Definition Reference Chart

OmniVision	Sony	Samsung	On-Semi	Aptina	Himax	GalaxyCore	PixArt	SmartSens	Sensors
Pin Signal		Description							
DGND GND		ground for digital circuit							
AGND		ground for analog circuit							
PCLK DCK		DVP PCLK output							
XCLR PWDN XSHUTDOWN STANDBY		power down active high with internal pull-down resistor							
MCLK XVCLK XCLK INCK		system input clock							
RESET RST		reset active low with internal pull-up resistor							
NC NULL		no connect							
SDA SIO_D SIOD		SCCB data							
SCL SIO_C SIOC		SCCB input clock							
VSYNC XVS FSYNC		DVP VSYNC output							
HREF XHS		DVP HREF output							
DOVDD		power for I/O circuit							
AFVDD		power for VCM circuit							
AVDD		power for analog circuit							
DVDD		power for digital circuit							
STROBE FSTROBE		strobe output							
FSIN		synchronize the VSYNC signal from the other sensor							
SID		SCCB last bit ID input							
ILPWM		mechanical shutter output indicator							
FREQ		frame exposure / mechanical shutter							
GPIO		general purpose inputs							
SLASEL		I2C slave address select							
AFEN		CEN chip enable active high on VCM driver IC							
<b>MIPI Interface</b>									
MDN0 DN0 MD0N DATA_N DMO1N		MIPI 1st data lane negative output							
MDP0 DP0 MD0P DATA_P DMO1P		MIPI 1st data lane positive output							
MDN1 DN1 MD1N DATA2_N DMO2N		MIPI 2nd data lane negative output							
MDP1 DP1 MD1P DATA2_P DMO2P		MIPI 2nd data lane positive output							
MDN2 DN2 MD2N DATA3_N DMO3N		MIPI 3rd data lane negative output							
MDP2 DP2 MD2P DATA3_P DMO3P		MIPI 3rd data lane positive output							
MDN3 DN3 MD3N DATA4_N DMO4N		MIPI 4th data lane negative output							
MDP3 DP3 MD3P DATA4_P DMO4P		MIPI 4th data lane positive output							
MCN CLKN CLK_N DCKN		MIPI clock negative output							
MCP CLKP MCP CLK_P DCKN		MIPI clock positive output							
<b>DVP Parallel Interface</b>									
D0 DO0 Y0		DVP data output port 0							
D1 DO1 Y1		DVP data output port 1							
D2 DO2 Y2		DVP data output port 2							
D3 DO3 Y3		DVP data output port 3							
D4 DO4 Y4		DVP data output port 4							
D5 DO5 Y5		DVP data output port 5							
D6 DO6 Y6		DVP data output port 6							
D7 DO7 Y7		DVP data output port 7							
D8 DO8 Y8		DVP data output port 8							
D9 DO9 Y9		DVP data output port 9							
D10 DO10 Y10		DVP data output port 10							
D11 DO11 Y11		DVP data output port 11							

[www.YDSCAM.com](http://www.YDSCAM.com) [sales@ydscam.com](mailto:sales@ydscam.com) Phone (WeChat, QQ): (+86) 177 2732 6718

All rights reserved @ YingDeShun Co. Ltd. Specifications subject to change without notice.



## Camera Reliability Test

Reliability Inspection Item		Testing Method	Acceptance Criteria	
Category	Item			
Environmental	Storage Temperature	High 60°C 96 Hours	Temperature Chamber	No Abnormal Situation
		Low -20°C 96 Hours	Temperature Chamber	No Abnormal Situation
	Operation Temperature	High 60°C 24 Hours	Temperature Chamber	No Abnormal Situation
		Low -20°C 24 Hours	Temperature Chamber	No Abnormal Situation
	Humidity	60°C 80% 24 Hours	Temperature Chamber	No Abnormal Situation
	Thermal Shock	High 60°C 0.5 Hours Low -20°C 0.5 Hours Cycling in 24 Hours	Temperature Chamber	No Abnormal Situation
Physical	Drop Test (Free Falling)	Without Package 60cm	10 Times on Wood Floor	Electrically Functional
		With Package 60cm	10 Times on Wood Floor	Electrically Functional
	Vibration Test	50Hz X-Axis 2mm 30min	Vibration Table	Electrically Functional
		50Hz Y-Axis 2mm 30min	Vibration Table	Electrically Functional
		50Hz Z-Axis 2mm 30min	Vibration Table	Electrically Functional
	Cable Tensile Strength Test	Loading Weight 4 kg 60 Seconds Cycling in 24 Hours	Tensile Testing Machine	Electrically Functional
Electrical	ESD Test	Contact Discharge 2 KV	ESD Testing Machine	Electrically Functional
		Air Discharge 4 KV	ESD Testing Machine	Electrically Functional
	Aging Test	On/Off 30 Seconds Cycling in 24 Hours	Power Switch	Electrically Functional
	USB Connector	On/Off 250 Times	Plug and Unplug	Electrically Functional



## Camera Inspection Standard

Inspection Item		Inspection Method	Standard of Inspection		
Category	Item				
Appearance	FPC/ PCB	Color	The Naked Eye	Major Difference is Not Allowed.	
		Be Torn/Chopped	The Naked Eye	Copper Crack Exposure is Not Allowed.	
		Marking	The Naked Eye	Clear, Recognizable (Within 30cm Distance)	
	Holder	Scratches	The Naked Eye	The Inside Crack Exposure is Not Allowed	
		Gap	The Naked Eye	Meet the Height Standard	
		Screw	The Naked Eye	Make Sure Screws Are Presented (If Any)	
		Damage	The Naked Eye	The Inside Crack Exposure is Not Allowed	
	Lens	Scratch	The Naked Eye	No Effect On Resolution Standard	
		Contamination	The Naked Eye	No Effect On Resolution Standard	
		Oil Film	The Naked Eye	No Effect On Resolution Standard	
		Cover Tape	The Naked Eye	No Issue On Appearance.	
	Function	Image	No Communication	Test Board	Not Allowed
			Bright Pixel	Black Board	Not Allowed In the Image Center
Dark Pixel			White board	Not Allowed In the Image Center	
Blurry			The Naked Eye	Not Allowed	
No Image			The Naked Eye	Not Allowed	
Vertical Line			The Naked Eye	Not Allowed	
Horizontal Line			The Naked Eye	Not Allowed	
Light Leakage			The Naked Eye	Not Allowed	
Blinking Image			The Naked Eye	Not Allowed	
Bruise			Inspection Jig	Not Allowed	
Resolution			Chart	Follows Outgoing Inspection Chart Standard	
Color			The Naked Eye	No Issue	
Noise			The Naked Eye	Not Allowed	
Corner Dark			The Naked Eye	Less Than 100px By 100px	
Color Resolution			The Naked Eye	No Issue	
Dimension	Height	The Naked Eye	Follows Approval Data Sheet		
	Width	The Naked Eye	Follows Approval Data Sheet		
	Length	The Naked Eye	Follows Approval Data Sheet		
	Overall	The Naked Eye	Follows Approval Data Sheet		

## YDSCAM Package Solutions

YDS Camera Module



Complete with Lens Protection Film



Tray with Grid and Space



Place Cameras on the Tray





## YDSCAM Package Solutions

Full Tray of Cameras



Cover Tray with Lid



Place Tray into Anti-Static Bag



Vacuum the Anti-Static Bag





## YDSCAM Package Solutions

### Sealed Vacuum Anti-Static Bag with Labels

1. Model and Description 2. Quantity 3. Manufacturing Date Code 4. Caution



## YDSCAM Package Solutions

Place Foam Sheets Between Tray Bags



Foam Sheets are Larger Than Trays



Place Foam Sheets and Trays into Box



Foam Sheets are Tightly Fitting in Box



Seal the Carbon Box



Label the Carbon Shipping Box



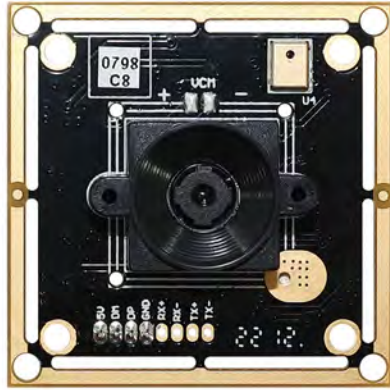




## YDSCAM Package Solutions

USB Camera Module

Complete with Lens Protection Film



Place Camera Sample into Anti-Static Bag

Place USB Cameras into Tray



Seal the Tray with Anti-Static Bag

Label the Carbon Shipping Box



## YDSCAM Package Solutions

Place Camera Sample into Anti-Static Bag



Place Connectors into Anti-Static Bag



Label the Sample Bags



Place Connectors into Reel



Place Samples into the Carbon Box



Place Connectors into the Carbon Box







# YDS CAMERA MODULE

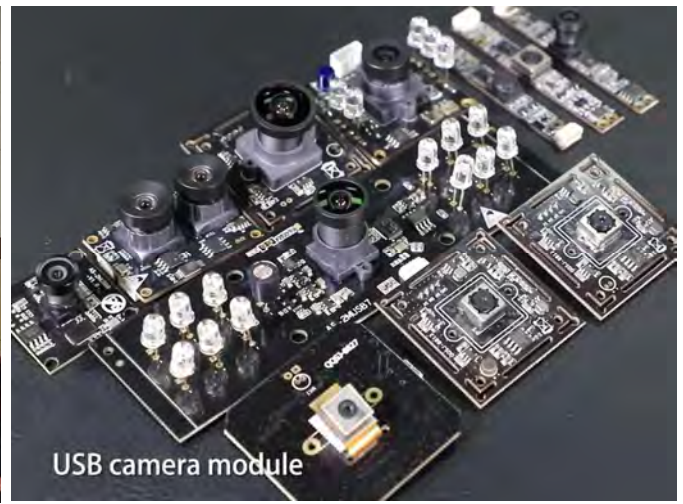
*your best camera partner*

## Company YDSCAM

YingDeShun Co. Ltd. (YDS) was established in 2017, a next-generation technology driven manufacturer specialized in research, design, and produce of audio and video products. YDS is occupying 20,000 square feet automated plants with 100 employees of annual throughput 30,000,000 units cameras.

YDS provides OEM, ODM design, contract manufacturing, and builds the camera products. You may provide the requirements to us, even with a hand draft, our sales and engineering work together to meet your needs. We consider ourselves your last-term partner in developing practical and innovative solutions.

Our team covers everything from initial concept development to mass produced product. YDS specializes in customized camera design, raw material, electronic engineering, firmware/software development, product testing, and packing design. Our experienced strategic supply systems offer a robust and dependable manufacturing capacity for orders of various sizes.



## Limited Warranty

YDS provides the following limited warranty if you purchased the Product(s) directly from YDS company or from YDS's website [www.YDSCAM.com](http://www.YDSCAM.com). Product(s) purchased from other sellers or sources are not covered by this Limited Warranty. YDS guarantees that the Product(s) will be free from defects in materials and workmanship under normal use for a period of one (1) year from the date you receive the product ("Warranty Period").

For all Product(s) that contain or develop material defects in materials or workmanship during the Warranty Period, YDS will, at its sole option, either: (i) repair the Product(s); (ii) replace the Product(s) with a new or refurbished Product(s) (replacement Product(s) being of identical model or functional equivalent); or (iii) provide you a refund of the price you paid for the Product(s).

This Limited Warranty of YDS is solely limited to repair and/or replacement on the terms set forth above. YDS is not reliable or responsible for any subsequent events.



[www.YDSCAM.com](http://www.YDSCAM.com) [sales@ydscam.com](mailto:sales@ydscam.com) Phone (WeChat, QQ): (+86) 177 2732 6718

All rights reserved @ YingDeShun Co. Ltd. Specifications subject to change without notice.





# YDS CAMERA MODULE

*your best camera partner*

## YDS Strength

### Powerful Factory



### Professional Service



### Promised Delivery



[www.YDSCAM.com](http://www.YDSCAM.com) [sales@ydscam.com](mailto:sales@ydscam.com) Phone (WeChat, QQ): (+86) 177 2732 6718

All rights reserved @ YingDeShun Co. Ltd. Specifications subject to change without notice.